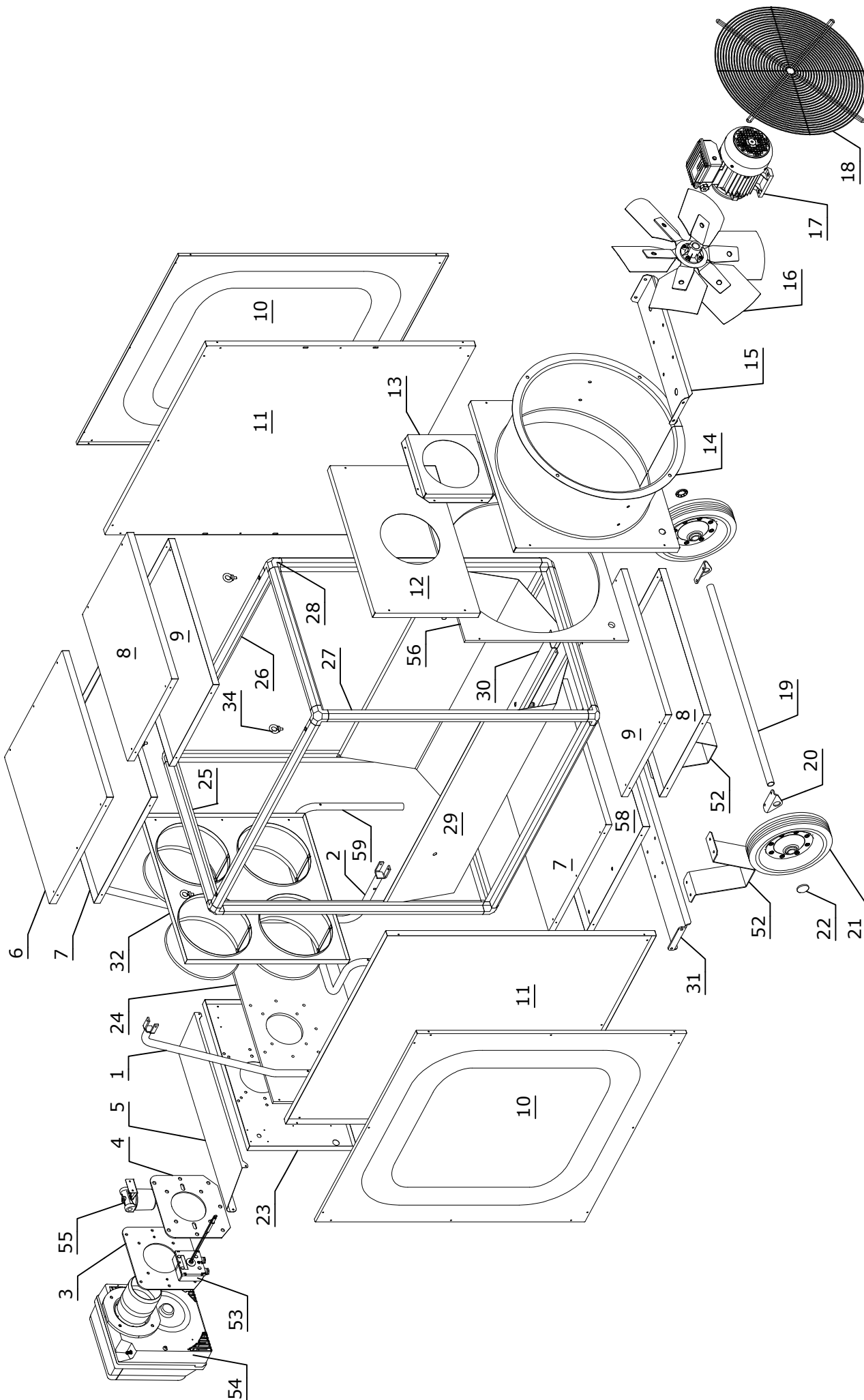


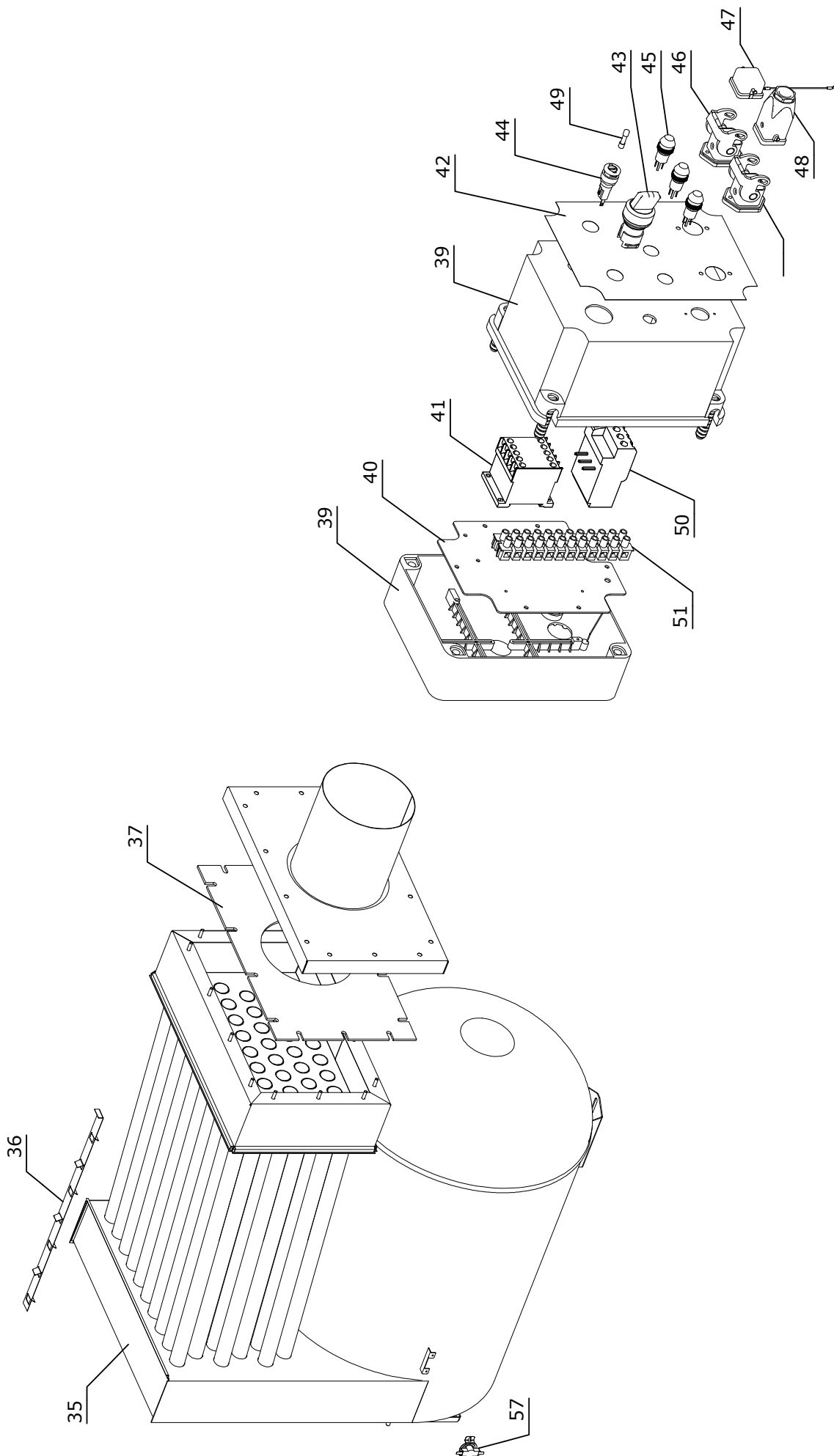
# Bv470 F / Bv470 FS

UNIT 1

ILLUSTRATED PARTS BREAKDOWN

Edizione 2010  
Rev. A





Pos.	Code NR	Description
1	4514.144	Right Burner Protection
2	4514.143	Left Burner Protection
3	4514.126	Universal Slab
4	4514.605	Universal Slab Seal
5	S/R	Burner Cover
6	S/R	Top Bottom External Panel
7	S/R	Top Internal Panel
8	S/R	Top External Panel
9	S/R	Bottom External Panel
10	S/R	External Lateral Panel
11	S/R	Internal Lateral Panel
12	S/R	Rear Panel
13	S/R	Chimney Bottom
14	S/R	Fan Panel
15	S/R	Support Bracket
16	4514.301	Fan
17	4514.300	Motor
18	4514.142	Protection Grill
19	4514.150	Wheels Axle
20	4514.128	Hub Bracket
21	4514.600	Black Rubber Wheel Diam. 300
22	4514.803	Fixing Washer For Shaft With Cup
23	S/R	Front Panel Slab
24	4514.604	Burner Thermic Insulator
25	S/R	Chamfered Profile For Panel 25 L=605
26	S/R	Chamfered Profile For Panel 25 L=1060
27	S/R	Chamfered Profile For Panel 25 L=994,5
28	S/R	3 Way Corner For Chamfered Profile
29	S/R	Air Direction Sheet
30	S/R	Combustion Chamber Bracket
31	S/R	Wheels Bracket
32	4514.117	4-Way Panel
32	4514.097	1-Way Panel (Optionally)
34	4514.801	Lifting Eye Bolt M8
35	4514.151	Combustion Chamber
36	4514.105	Bracket For Turbulence
37	4514.602	Exit Smoke Chamber Seal
39	4514.609	Waterprof Case (Front And Back)
40	4514.141	Electric Components Plate

---

Pos.	Code NR	Description
41	4514.416	Contactora 4Kw 400V
42	4514.512	Panel Label
43	4514.402	Switch 3P
44	4514.400	Fuseholder 5X20, 6,3A
45	4514.415	Indicator Light 230V
46	4514.611	Socket Case
47	4162.467	Cap For Thermostat Plug
48	4111.118	Thermostat Plug
49	4514.409	Fuse 5X20 3,15A 250V
50	4514.417	Thermal Relay 6-9A
51	4514.404	Terminal Block 12T 4^2
52	S/R	Front Base Panel
53	4514.410	Fan Limit Double Thermostat
54	4514.302	Oil Burner RG3 F
55	4031.120	Oil Pre Heater
56	S/R	Flange
57	4031.047	Overheat Thermostat
58	S/R	Bottom External Panel I
59	4514.213	Holder

S/R = Parts available on special request only